

Customer Instructions Coffee Maker



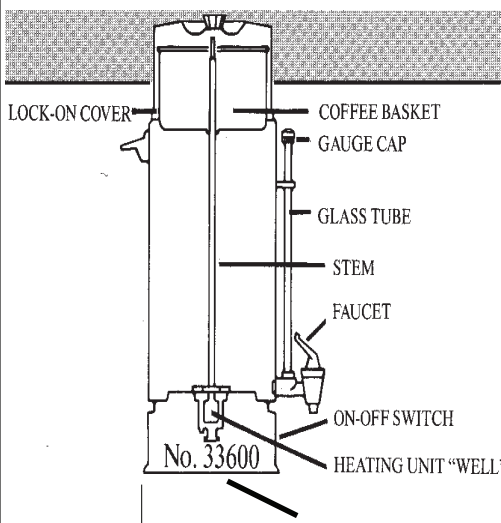
CAUTION: TO REDUCE THE RISK OF SHOCK TO USER AND DAMAGE TO THE UNIT, DO NOT IMMERSE COFFEEMAKER, ITS CORD AND PLUG IN WATER OR OTHER LIQUID!

1. Always use coffeemaker on a dry, level, heat resistant surface, away from any edge. Be sure hands are dry.
2. With basket & stem removed (see illus. below), fill coffeemaker with COLD water to desired cup level. Marks on inside of coffeemaker show cup levels. Do not fill past maximum cup level.
3. Place stem into heating unit "well" in bottom of coffeemaker, then put basket on stem. Add electric perk or regular grind coffee to basket using chart below for amount to use depending on cup level. Spread grounds evenly in basket. Use standard measuring cups to measure coffee. Do not let any grounds fall into stem opening. Do not use "drip" or finely ground coffee as basket could flood. The amount of ground coffee recommended will make mild-strength coffee which most people prefer. The amount of coffee can be adjusted to suit your preference.

100-cup Model	
WATER	COFFEE
100 Cups	6 1/4 Cups
80 Cups	5 Cups
60 Cups	4 Cups
40 Cups	2 1/2 Cups
Do not make less than 40 or more than 100 cups of coffee at one time.	

55-cup Model	
WATER	COFFEE
55 Cups	3 1/4 Cups
45 Cups	2 3/4 Cups
35 Cups	2 Cups
25 Cups	1 1/2 Cups
Do not make less than 25 or more than 55 cups of coffee at one time.	

4. Place cover onto coffeemaker, twisting to lock cover in place inside handles. Note arrows on cover for correct turning. For your safety, make sure cover has been turned clockwise until it is completely locked into the handle slots. Use extreme care when moving the coffeemaker.
5. Plug cord into a 120 volt grounded electric outlet. Turn switch "on."
6. Coffeemaker will stop perking automatically. Each cup requires approx. 1 minute brewing time. Coffee is ready when light in base glows. Coffee will remain at serving temperature as long as coffeemaker is plugged in and switch is on.
7. When about 3 cups of coffee remain in coffeemaker (or when coffee can no longer be seen in glass gauge), unplug cord from electric outlet, and turn switch to off.
8. Clean empty coffeemaker with dishcloth or sponge. **DO NOT IMMERSE.** Do not clean parts in a dishwasher.



Disclaimer:

These instructions are intended as a helpful reminder. They do not replace the full operating instructions found in the owners manual, which is available at the rental counter.

**A to Z Equipment Rentals & Sales - 4 locations in the Phoenix Arizona Metro Area
If you like this piece of equipment, inquire about purchasing it!**

If equipment does not work properly, notify office at once - Phoenix, 602-955-5100 • North Valley., 602-992-1150 •
• East Valley, 480-539-8700 • West Valley, 623-925-0200 •